



## Operation

Manual transition.

SG1WS Spring type, opening to uni direction.

SG2WS Spring type, opening to bi-direction.

SG1WL Spring type with mechanical key locked, opening to uni direction.

SG2WL Spring type with mechanical key locked, opening to bi-direction.

SG1WE Electrical lock, opening to uni direction.

SG1WE Electrical lock, opening to bi-direction.

## Frame

2 pieces 2 mm thick polished shiny AISI 304 quality stainless steel pipe..

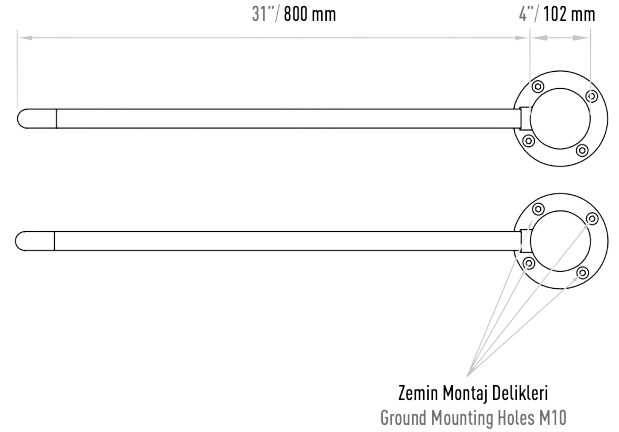
## Wing

1.5 mm thickness AISI 304 quality stainless steel.

Optional: 10mm thick plexiglass.

## Functions

Opens manually. Closes automatically with spring system.



|                |   |
|----------------|---|
| Passage Widht  | 80-100 cm   |
| Weight         | -18   |
| Security Level | Deterrent   |
| Areas Of Use   | Suitable for indoor and outdoor use.  |
| Accessories    | Remote control unit. Stainless steel opposite unit. Photocell with opposite unit. Outdoor cover. Button control unit. |

