



Execution

Wooden and aluminum doors

Compatible with all card access systems

General

FT-118 electric strike is suitable for wooden and aluminum doors where the number of daily passes is not much. It is preferred for doors that do not require high security because it is economical.

Features

It is suitable for wooden and aluminum doors where there are not many daily passes.

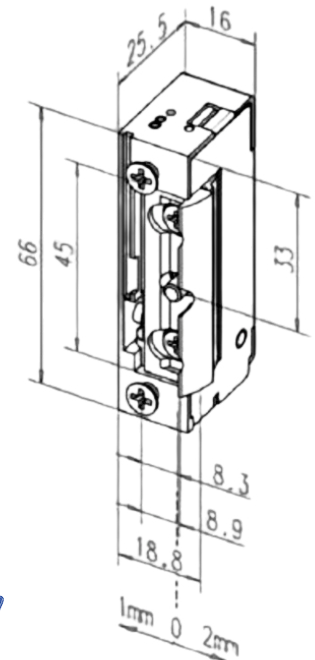
'It works on the basis of 'locked (fail secure) when there is no energy'.

It is 100% ED. In other words, it can be ensured that the key response remains open by continuously energizing.

Due to its symmetrical body structure, it provides ease of assembly for doors opening to the right or left.

Because the lock striker tongue is movable
Provides flexibility in assembly. (max 3mm)

Working Principle	Locked when there is no power (fail secure)
Current Drawn	270Ma 12VDC
Operating Voltage	10-24 V DC/AC
Endurance	300 KG
Trunk	Zinc- Aluminum Alloy
Dynamic Tongue	Zinc-Aluminum Alloy
Pediment	Stainless Steel
Tongue Movement Distance	3mm max.
Door Status Monitoring	None



www.flytek.com.tr

Flytek Ltd. Şti.
8756 St. No:60 D.1/B Yenimahalle
Çiğli/İzmir

+90 232 423 43 59
+90 536 740 30 69
sales@flytek.com.tr