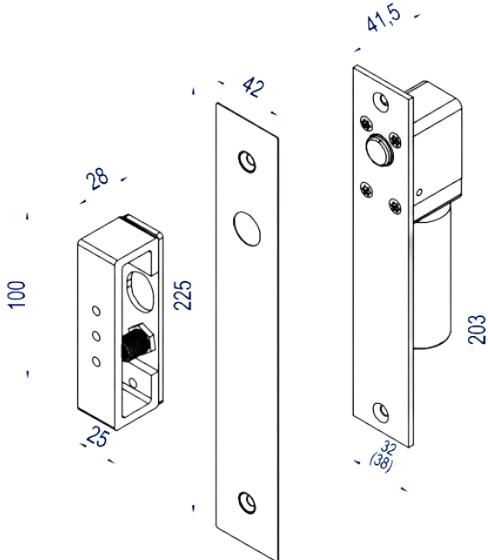




## General

The FT-200 electric door deadbolt is designed for single and bi-directional doors where other locking products are not suitable. It is used in recessed mounting application.



## Features

It works on the principle of staying "Locked (fail safe)" while there is energy.

There is a monitoring contact that shows the door status.

After the door is closed, the locking delay is 0-3-6-9 seconds adjustable..

Horizontal and vertical application can be made.  
-One-way and two-way door application

Use on aluminum, wood and metal doors

Compatibility with all access control systems.

Working Principle	Locked when there is no power (fail secure)
Current Drawn	900 mA (pull) – 300 mA (locked)
Operating Voltage	12V DC
Pin Length	16 mm
Lock Pediment Widht	32 mm
Maximum Door Spacing	3 mm
Door Status Monitoring Contact	Availbe



[www.flytek.com.tr](http://www.flytek.com.tr)

**Flytek Ltd. Şti.**  
8756 St. No:60 D.1/B Yenimahalle  
Çiğli/İzmir

+90 232 423 43 59  
+90 536 740 30 69  
sales@flytek.com.tr