



## Operation

Adjustable manual passage to either direction.

## Frame

Cylindrical, two-legged, AISI 304 quality stainless steel.  
Optional: AISI 316 quality

## Core and Arms

CNC-machined, aluminum cast core and polished.  $\varnothing$  40x2.5 mm aluminum arms Optional: Stainless steel arms.

## Functions

Passage information (NC: Normally close or NO: Normally open).  
Passage time. Memory mode. Audio warning. Adjustable passage direction.

## Mechanism

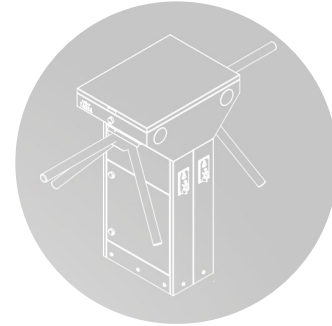
AISI 304 quality stainless steel. Fail-Safe (arms drop during power failure) Optional: Fail Lock..

## Emergency Mode

The arms fall down with the signal received from fire detection system. Optional: Drop arm.

## Indicator

Direction LEDs for both directions. Optional: Upper lid.



Operating Voltage	100-230 VAC. 47-60 Hz
Power Consumption	9,6W during passage, 10W during standby
Operating Temperature	-0° / +70° Optinal: With heater -40°
Passage Speed	~50 persons / minute.
Passage Width	45-50 cm
Weight	~42 Kg
Security Level	Deterrent
Areas of Use	Suitable for indoor and outdoor use. (Can be used in outdoor with outdoor cover.)
Accessories	Outdoor cover. Unauthorized passage notification system. Button control unit. Remote control unit. Stainless steel bottom plate. Plexiglass reader assembly kit. Reader assembly apparatus.Meter.RS232 communication unit.

