



General

FT-503 magnetic door holder is mostly used in fire doors with closers that act as fire barriers

Execution

Fire resistant doors.

Technical Specifications

Working Principle	Locked when there is no power (fail secure)
Current Drawn	60 m A @ 24 V DC
Operating Voltage	12-24 V DC
Durability	25 Kg
Door Status Monitoring Contact	Available

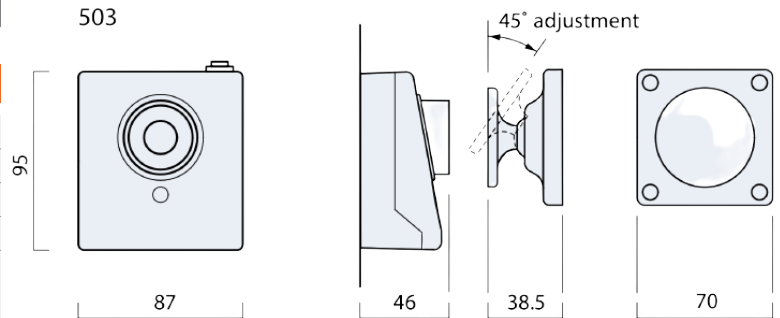
Features

'It works on the principle of 'locked (fail safe) while there is energy.'

It has a holding capacity of 25 kg.

It is suitable for wall-mounted and floor-mounted mounting.

Compatible with fire and access control systems.



www.flytek.com.tr

Flytek Ltd. Şti.
8756 St. No:60 D.1/B Yenimahalle
Çiğli/İzmir

+90 232 423 43 59
+90 536 740 30 69
sales@flytek.com.tr