



General Features

Operation

Adjustable manual passage to either direction. Optional: Motorized

Chassis

1.5 mm thick, AISI 304 quality stainless steel. Optional: AISI 316 quality. With various color options electrostatic powder coated.

Rotor and Arms

4 winged 6 arms. AISI 304 quality stainless steel.
Optional: AISI 316 quality. With various color options electrostatic powder coated.

Functions

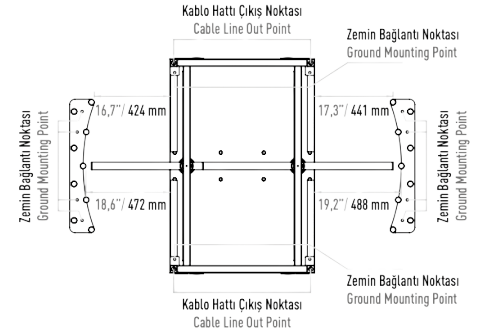
Passage information. Ability to set the passage time. Memory mode.
Adjustable audio warning.

Mechanism

Tempered steel and zinc coating. Fail-Safe (Free passage during power failure). Optional: Fail lock.

Emergency Mode

The arms allow free passage when the signal received from fire detection system.



Operating Voltage	100-230 VAC. 47-60 Hz
Power Consumption	9,6W during passage, 10W during standby
Operating Temperature	-0° / +70° Optimal: With heater -40°
Passage Speed	~50 persons / minute.
Passage Width	45-50 cm
Weight	~42 Kg
Security Level	Deterrent
Areas of Use	Suitable for indoor and outdoor use. (Can be used in outdoor with outdoor cover.)
Accessories	Outdoor cover. Unauthorized passage notification system. Button control unit. Remote control unit. Stainless steel bottom plate. Plexiglass reader assembly kit. Reader assembly apparatus. Meter. RS232 communication unit.

