



General Features

Operation

Adjustable manual passage to either direction. Optional: Motorized

Chassis

10 mm tempered glass and 1.5 mm thick, AISI 304 quality stainless steel. Optional: AISI 316 quality. With various color options electrostatic powder coated..

Rotor and Arms

3 pieces, 10 mm tempered glass. AISI 304 quality stainless steel rotor. Optional: AISI 316 quality. With various color options electrostatic powder coated

Functions

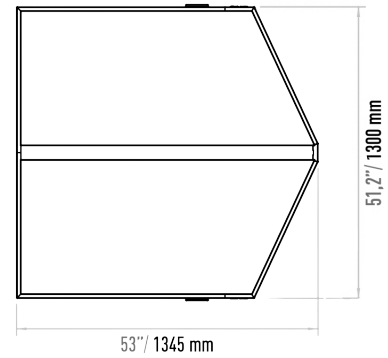
Passage information. Ability to set the passage time. Memory mode. Adjustable audio warning. Remote controlled passage direction and enable feature.

Mechanism

Tempered steel and zinc coating.
Fail-Safe (Free passage during power failure). Optional: Fail lock

Emergency Mode

The arms allow free passage when the signal received from fire detection system.



Operating Voltage	100-230 VAC. 47-60 Hz
Power Consumption	7W during passage, 12W during standby
Operating Temperature	-20° / +70° Optional: With heater -50°
Passage Speed	20 persons / minute
Passage Width	60 cm
Weight	~430 Kg
Security Level	High Security
Indicators	Standart in both directions.
Areas of Use	Suitable for indoor and outdoor use.
Accessories	Heater. Stainless steel reader bracket. Button control unit. Remote control unit. Coin concole. Stainless steel bottom plate. RS232/RS485/LAN communication unit. Adaptor.

